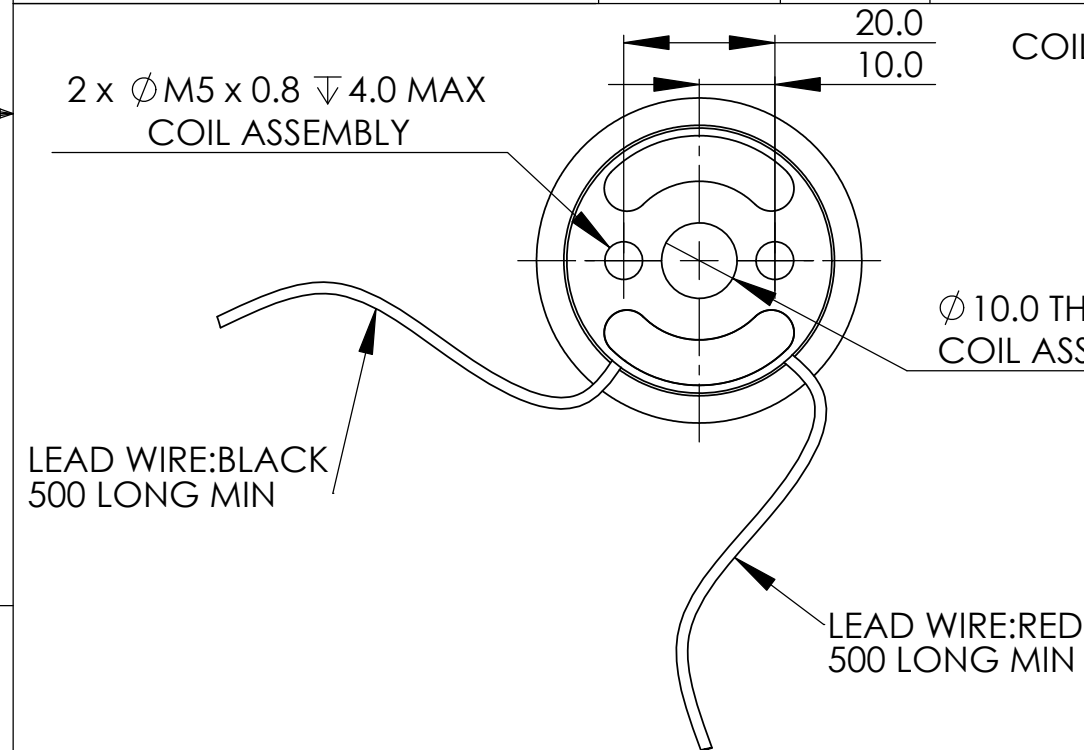
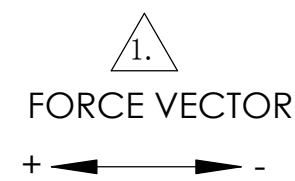
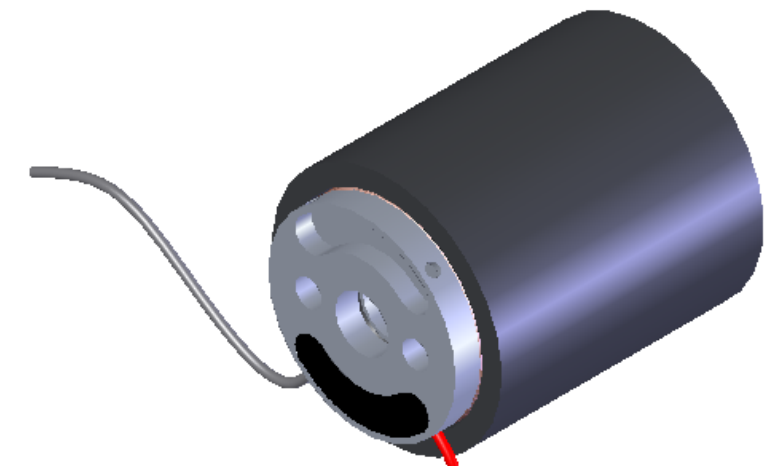


WINDING CONSTANT	TOL	SYM	VALUE	UNITS
DC RESISTANCE	± 10%	R	6.8	OHMS
VOLTAGE @ Fp	NOMINAL	Vp	26.9	VOLTS
CURRENT @ Fp	NOMINAL	Ip	4.0	AMPS
FORCE SENSITIVITY	± 7.5%	Kf	17.7	N / A
BACK EMF CONSTANT	NOMINAL	Kb	17.7	V/M/Sec
INDUCTANCE*****	± 30%	L	2.5	mH

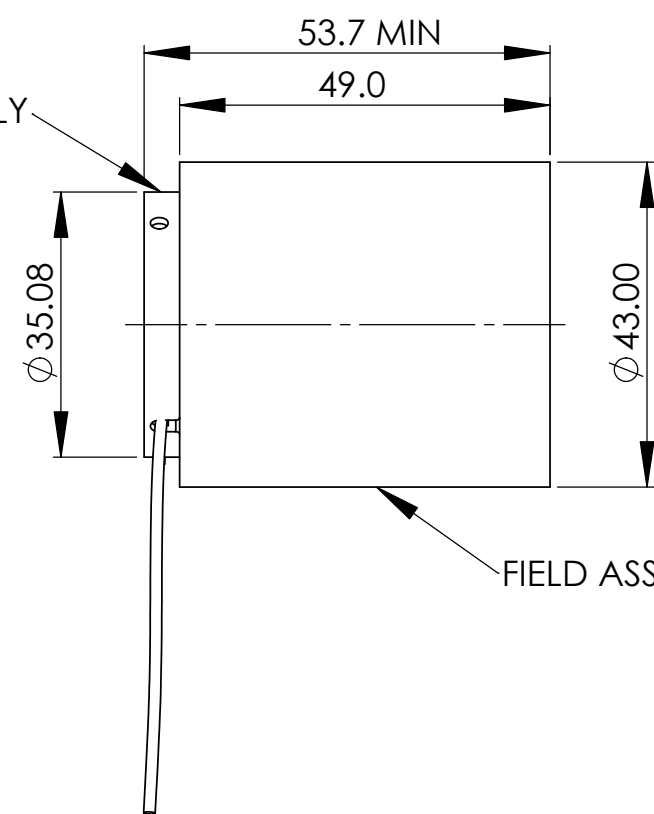
ACTUATOR PARAMETER	SYM	VALUE	UNITS
PEAK FORCE *	Fp	70	N
CONTINUOUS FORCE **	Fc	27.3	N
CONTINUOUS FORCE WITH HEAT SINK	Fc	40.0	N
ACTUATOR CONSTANT	Ka	6.8	N/√w
ELECT TIME CONSTANT	Te	0.37	milli-sec
POWER I ² R@Fp	Pp	106.3	W
TOTAL STROKE	S	14.9	mm
CLEARANCE ON SIDE OF COIL	CL	0.4	mm
THERMAL RESISTANCE ***	θth	7.7	C / W
THERMAL RESISTANCE WITE HEAT SINK****	θth	3.6	C / W
MAX WINDING TEMP	Tmax	150	C
WEIGHT OF COIL ASSEMBLY	WTc	79	g
WEIGHT OF FIELD ASSEMBLY	WTf	383	g
WEIGHT OF ACTUATOR	WTa	462	g

* 10 sec @ 25C ambient, 150C coil temp.
 ** 25C ambient, 150C coil temp.
 *** In free air.
 **** Measured with 250×250×10mm heat sink.
 ***** Measured with BK PRECISION 875B.

REV	ECO NO.	DESCRIPTION	DRN	APP'D	Q.A	DATE
X1	---	INITIAL RELEASE	WYG	MYM	LBQ	07/04/19

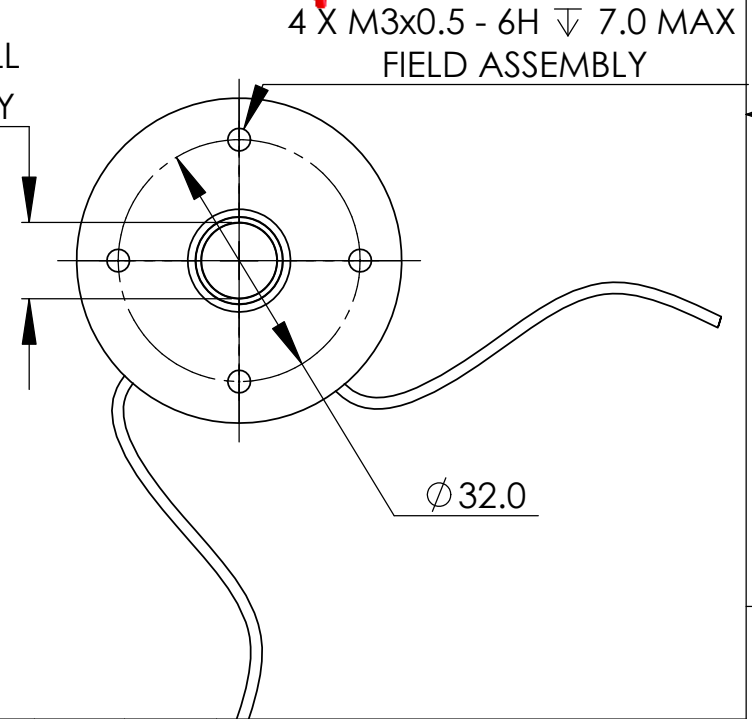


COIL ASSEMBLY



FIELD ASSEMBLY

Ø 10.0 THRU ALL FIELD ASSEMBLY



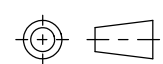
2.INSULATION RESISANCE:100 MEGOHMS MINIMUM AT 500 VDC.

△ A POSITIVE(+)VOLTAGE APPLIED TO THE RED LEAD WILL PRODUCE A FORCE ON THE COIL ASSEMBLY IN POSITIVE (+) DIRECTION.

NOTES:UNLESS OTHERWISE SPECIFIED

UNLESS OTHERWISE SPECIFIED:
 DIMENSIONS ARE IN MM
 TOLERANCES:
 ANGULAR: MACH±0° 30'
 ONE PLACE DECIMAL ±0.25
 TWO PLACE DECIMAL ±0.1

INTERPRET GEOMETRIC TOLERANCING PER: ANSI Y14.5M-1982



DO NOT SCALE DRAWING

	NAME	DATE
DRAWN	WYG	07-04-19
CHECKED		
ENG APPR.	MYM	07-04-19
MFG APPR.		
Q.A.	LBQ	07-04-19

usas motion Suzhou, China

TITLE:
LINEAR ACTUATOR

SIZE	DWG. NO.	REV
B	VLR0070-0149-00A	X1

SCALE: 1: 1 SHEET 1 OF 1